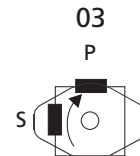
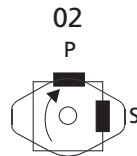
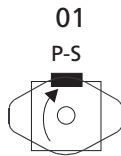
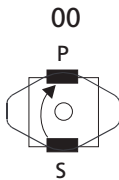
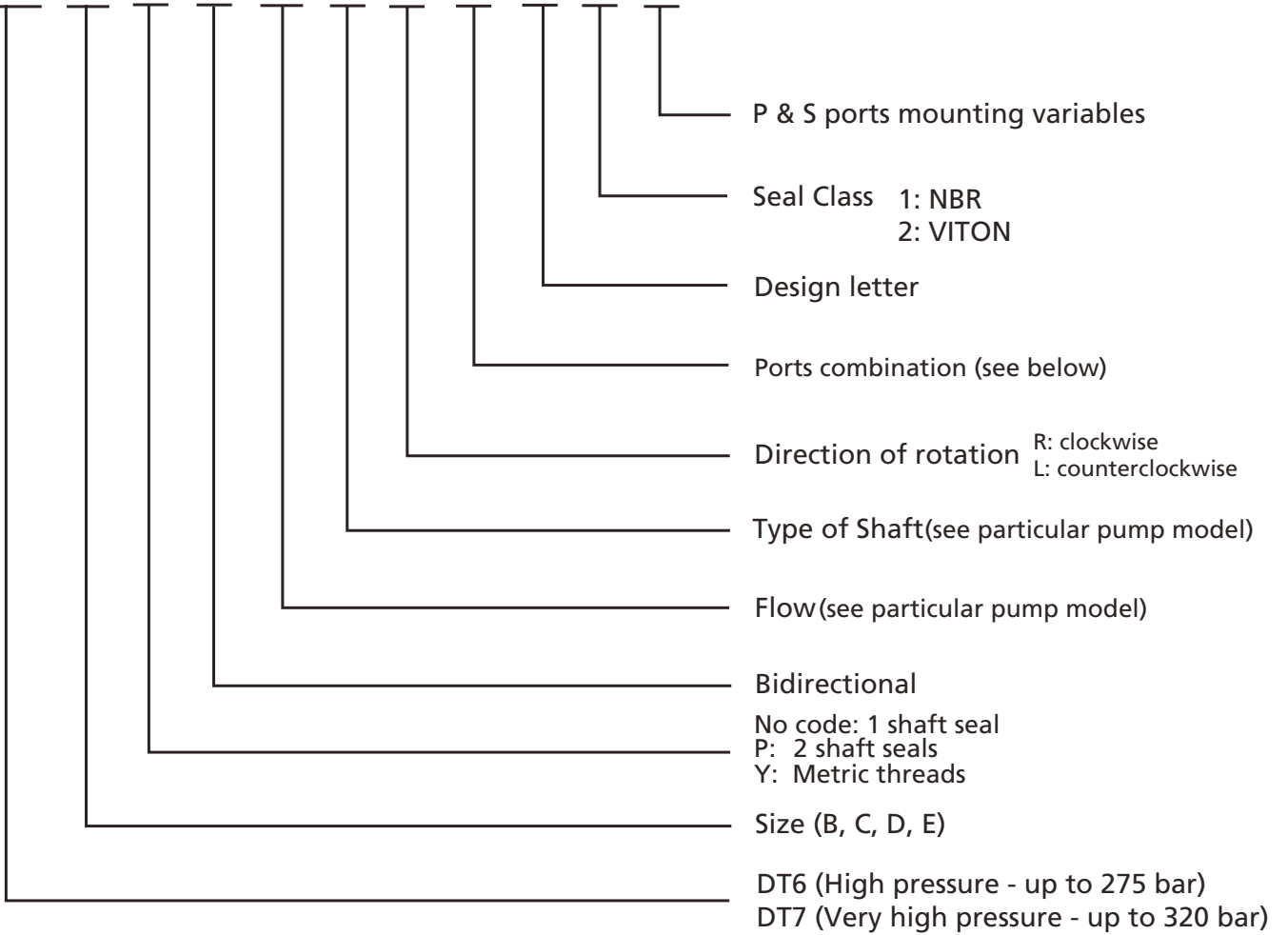


DT6/7 SINGLE VANE PUMPS ORDERING CODE

DATA SHEET

DT* - C - ** - B - 17 - 1 - R - 00 - B - 1 - *



DT6/7 SINGLE VANE PUMPS - GENERAL CHARACTERISTICS

SINGLE PUMPS

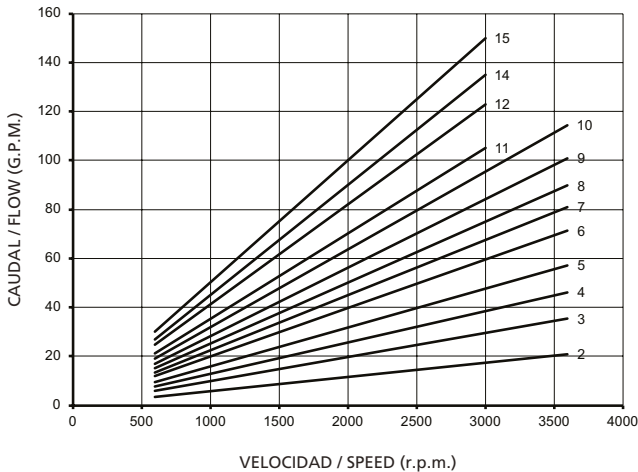
Pump Model	Cartridge Model	Theoretical displacement (cm ³ /rev)	Maximum Pressure int./cont. (bar)	Max.speed (rpm)	Min. speed (rpm)	Weight (Kg)	Front flange Standard SAE j744c ISO 3019-4	SAE 4 holes flange	
								Suction S	Pressure P
DT7BS	002	5.8	320/290	3600	500 200 ⁽¹⁾	23	SAE B	1 ½"	¾" 1"
	003	9.8							
	004	12.8							
	005	15.9							
	006	19.8							
	007	22.5							
	008	24.9							
	009	28							
	010	31.8							
	011	35							
	012	41	300/275	3000					
	014	45							
		015	50	280/240					
DT6C	003	10.8	275/240	2800	500	15	SAE B	1 ½"	1"
	005	17.2							
	006	21.3							
	008	26.4							
	010	34.1							
	012	37.1							
	014	46.0							
	017	58.3							
	020	63.8							
	022	70.3							
	025	79.3							
	028	88.8	210/160	2500					
	031	100							
DT6CP Pump model only mount B14 to B31 cartridges									
DT6D	014	47.6	240/210	2500	500	24	SAE C	2"	1 ¼"
	020	66.0							
	024	79.5							
	028	89.7							
	031	98.3							
	035	111.0							
	038	120.3							
	042	136.0							
	045	145.7							
	050	158.0							
	061	190.5	120/80	1800					
DT6E	042	132.3	240/210	2200		44	SAE C	3"	1 ½"
	045	142.4							
	050	158.5							
	052	164.8							
	062	196.7							
	066	213.3							
	072	227.1							
	085	269.8							
		90/75	2000						

⁽¹⁾ Lower speed can be achieved depending of pressure, temperature, oil viscosity. Consult our technical department

DT7BS OPERATING CHARACTERISTICS

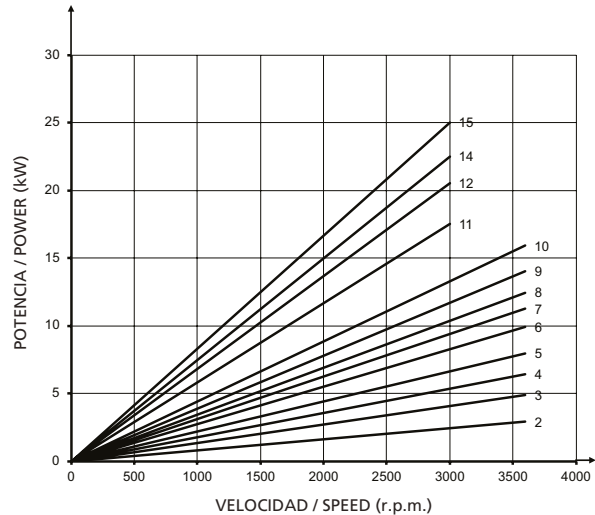
	FLOW															SPEED (rpm)		PRESSURE (bar)		WEIGHT (Kgs.)
	Lts/min.at 1000 rpm	6	10	13	16	20	22	25	28	32	35	41	45	50	Mín.	Máx.	Intermit.	Contin.		
Gal/min.at 1200 rpm	2	3	4	5	6	7	8	9	10	11	12	14	15	500	3600*	320	290*	23		

* See page 41 for further information about speed & pressure.



Theoretical Flow (0 Bar)

To calculate the real flow at a given operating pressure, subtract the internal leakage value for this pressure (see diagram below) from the theoretical flow. (See diagram above).



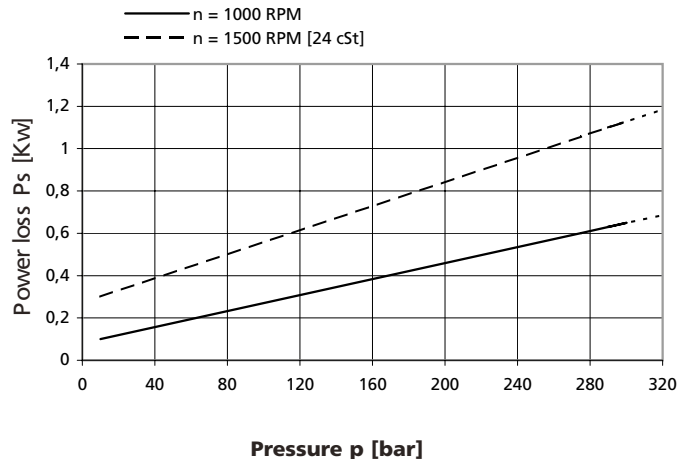
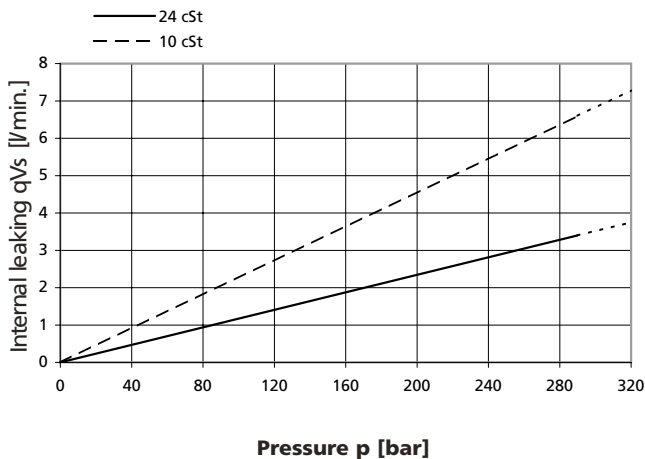
Theoretical Input Power at 300 Bar

To calculate the theoretical input power at other pressures and speeds, use the formula:

$$P(Kw) = \frac{Q(L/min.) \times P(Bar)}{600}$$

Where Q is the theoretical flow (upper left diagram) and P the operating pressure.

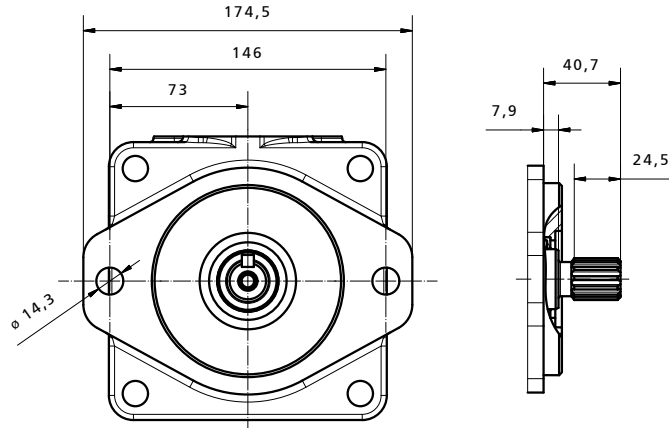
To calculate the real input power, add to the theoretical power the hydromechanical power losses (see diagram below).



Do not operate pump more than 5 seconds at any speed or viscosity if internal leakage is more than 50 % of theoretical flow

DIMENSIONS - SINGLE VANE PUMPS DT7BS

DIMENSIONS IN MILLIMETERS. 1" = 25,4 mm

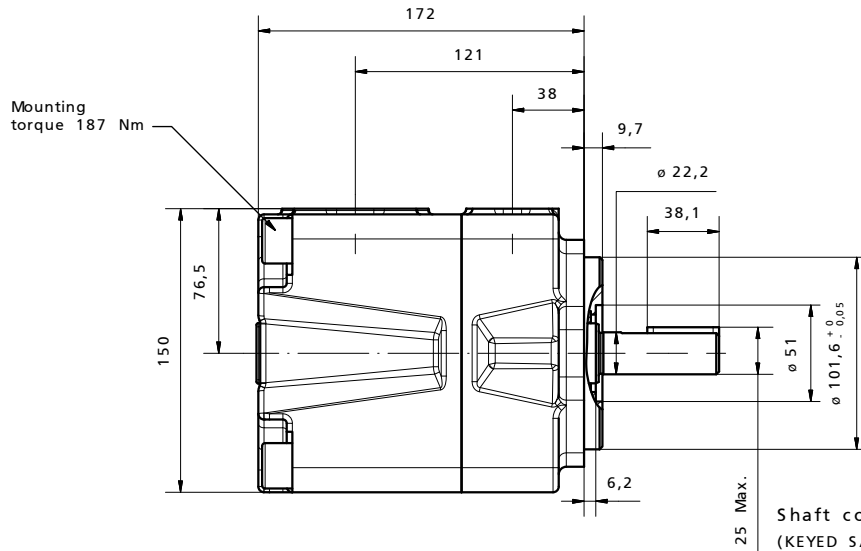


Shaft code 3
 SAE B Splined shaft 1- J498b
 16/32 d.p. - 13 teeth
 30° Pressure angle

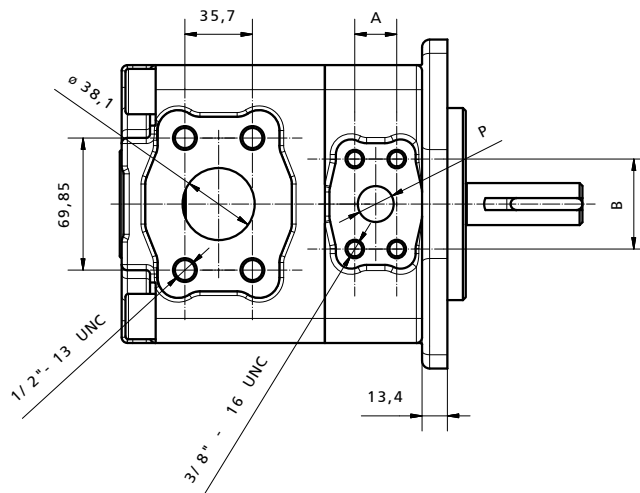
Mounting W/connection variables

4 bolts SAE flange (J518C)

UNC DT7BS		
	00	01
P	1"	3/4"
S	1 1/2"	



Shaft code 1
 (KEYED SAE B)



CODE	00	01
P	25,4	19,1
A	26,2	22,2
B	47,6	54,2

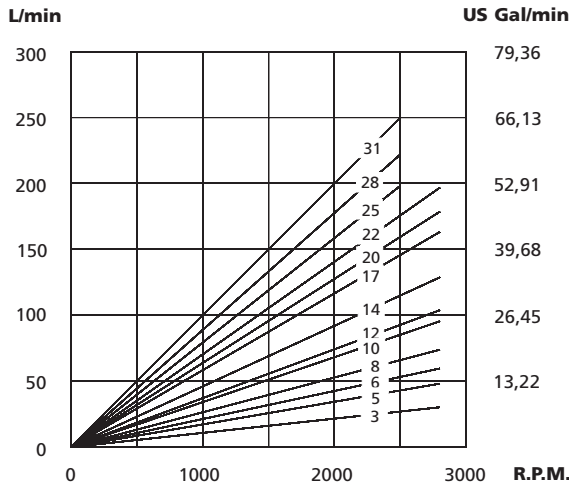
Shaft torque limits [ml/ rev. x bar]	
Shaft	Vi x p max.
1	16500
3	20600

DT6C OPERATING CHARACTERISTICS

DATA SHEET

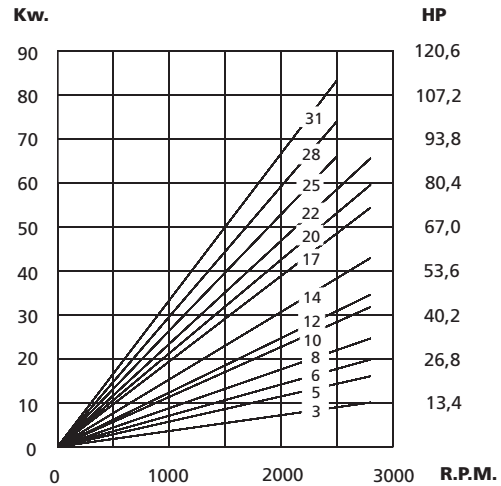
FLOW	SPEED (rpm)		PRESSURE (bar)		WEIGHT (Kgs.)									
	Min.	Máx.	Intermit.	Contin.										
Lts/min.at 1000 rpm	11	17	21	26	34	37	46	58	64	70	79	89	100	
Gal/min.at 1200 rpm	3	5	6	8	10	12	14	17	20	22	25	28	31	
	500	2800*	275	240*										15

* See page 41 for further information about speed & pressure.



Theoretical Flow (0 Bar)

To calculate the real flow at a given operating pressure, subtract the internal leakage value for this pressure (see diagram below) from the theoretical flow. (See diagram above).



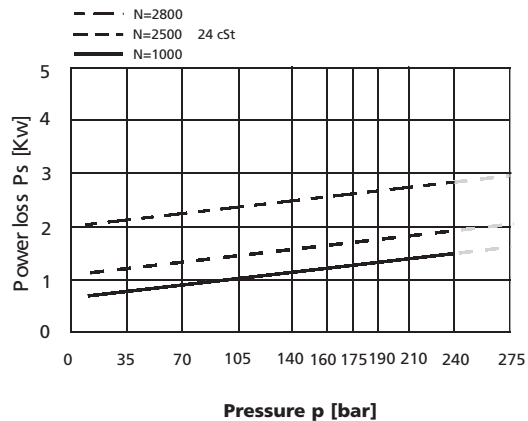
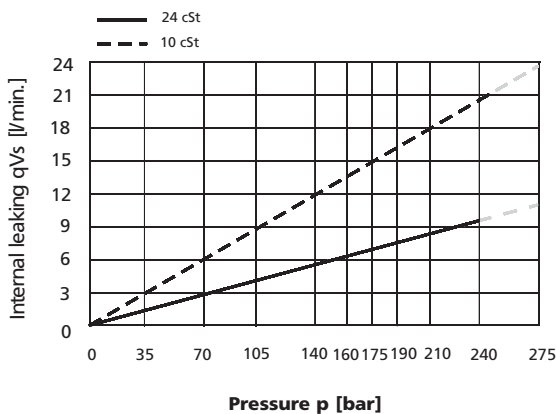
Theoretical Input Power at 200 Bar

To calculate the theoretical input power at other pressures and speeds, use the formula:

$$P(Kw) = \frac{Q(L/min.) \times P(Bar)}{600}$$

Where Q is the theoretical flow (upper left diagram) and P the operating pressure.

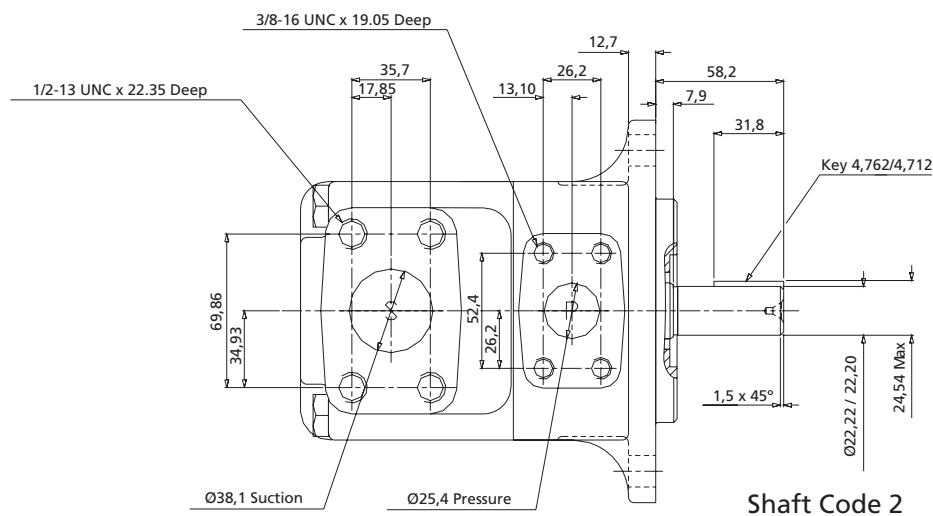
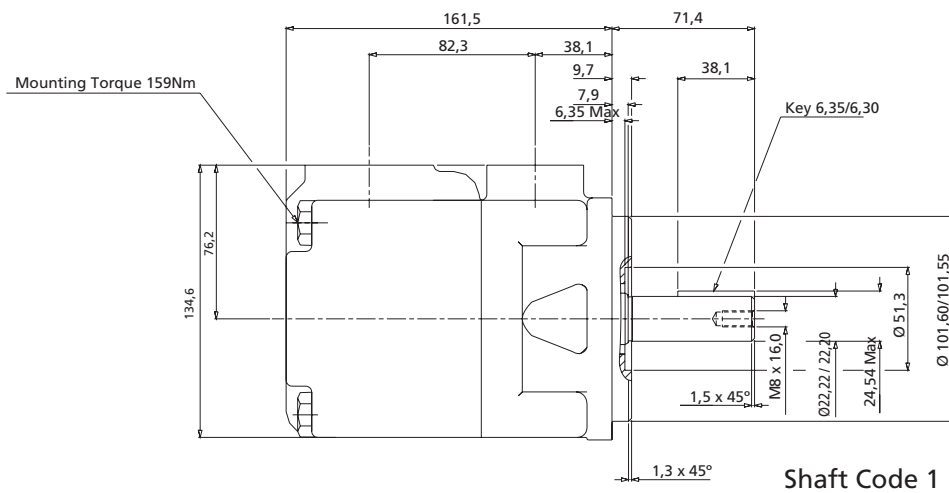
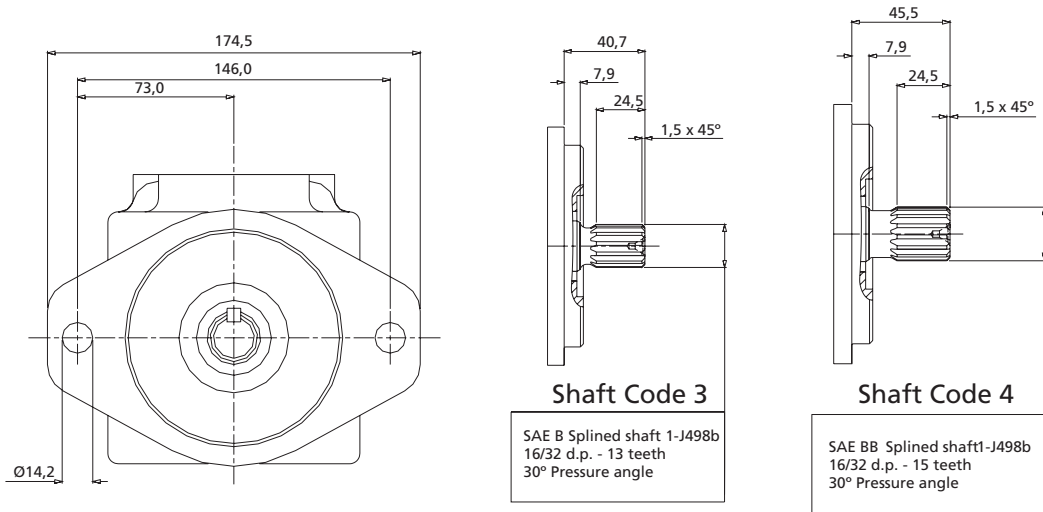
To calculate the real input power, add to the theoretical power the hydromechanical power losses (see diagram below).



Do not operate pump more than 5 seconds at any speed or viscosity if internal leakage is more than 50 % of theoretical flow

DIMENSIONS - SINGLE VANE PUMPS DT6C

DIMENSIONS IN MILLIMETERS. 1" = 25,4 mm

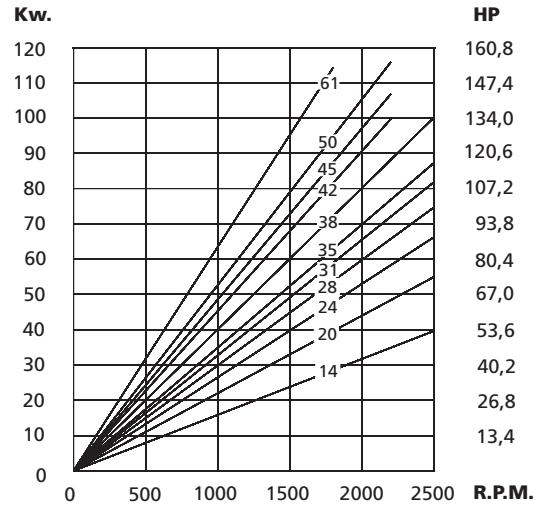
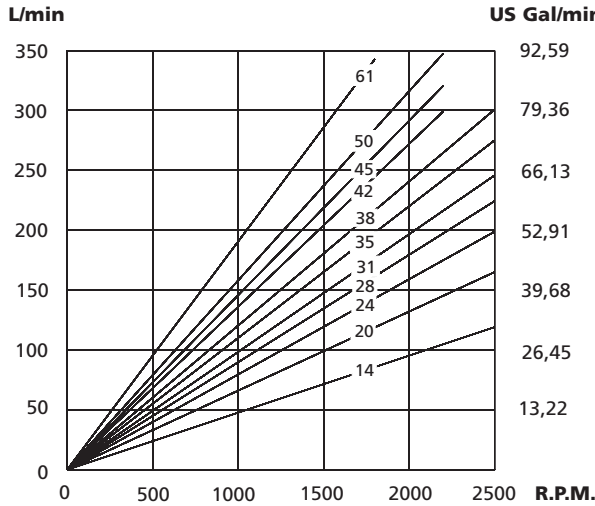


DT6D OPERATING CHARACTERISTICS

DATA SHEET

FLOW	SPEED (rpm)		PRESSURE (bar)		WEIGHT (Kgs.)						
	Min.	Máx.	Intermit.	Contin.							
Lts/min.at 1000 rpm	48	66	80	90	98	111	120	136	146	158	191
Gal/min.at 1200 rpm	14	20	24	28	31	35	38	42	45	50	61
	500	2500*	240	210	24						

* See page 41 for further information about speed & pressure.



Theoretical Flow (0 Bar)

To calculate the real flow at a given operating pressure, subtract the internal leakage value for this pressure (see diagram below) from the theoretical flow. (See diagram above).

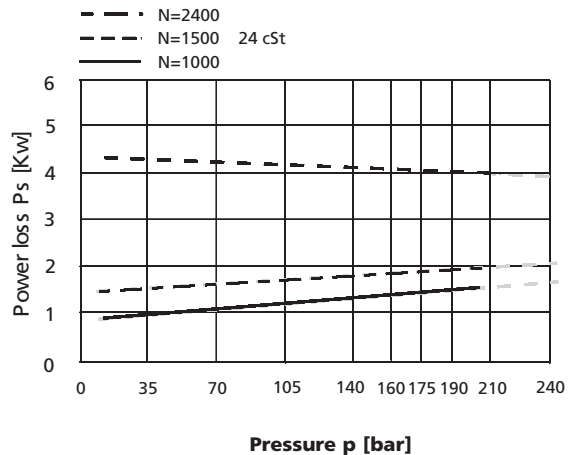
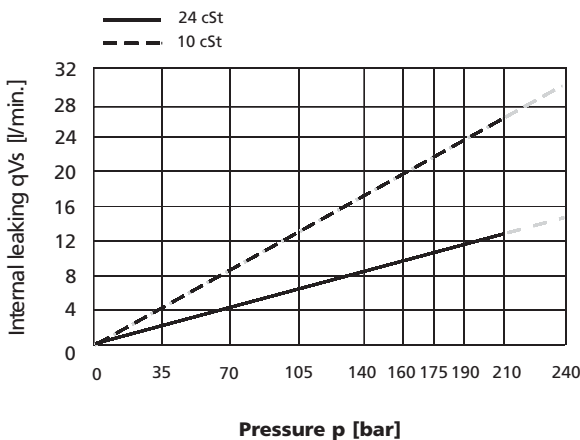
Theoretical Input Power at 200 Bar

To calculate the theoretical input power at other pressures and speeds, use the formula:

$$P(\text{Kw}) = \frac{Q(\text{L/min.}) \times P(\text{Bar})}{600}$$

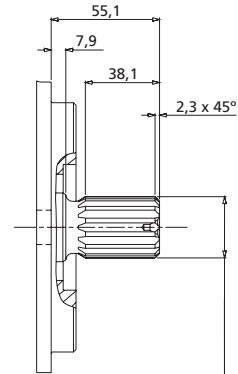
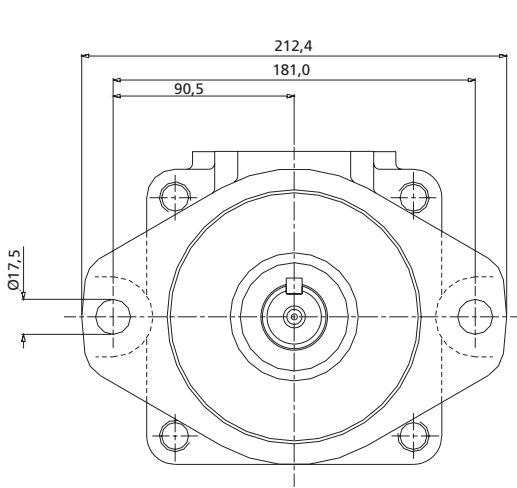
Where Q is the theoretical flow (upper left diagram) and P the operating pressure.

To calculate the real input power, add to the theoretical power the hydromechanical power losses (see diagram below).



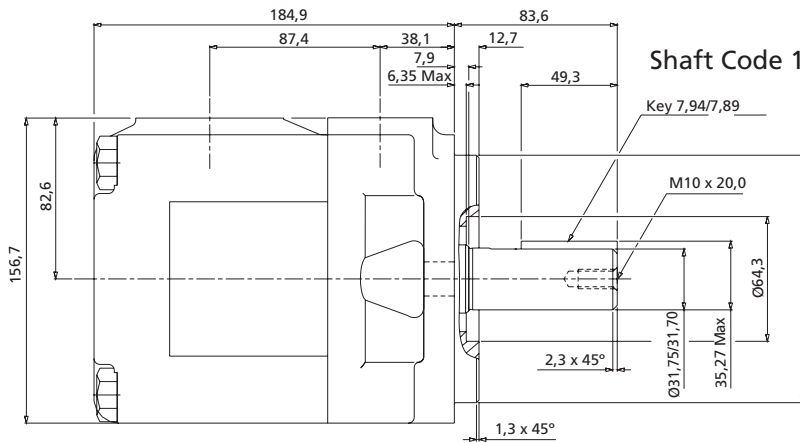
DIMENSIONS - SINGLE VANE PUMPS DT6D

DIMENSIONS IN MILLIMETERS. 1" = 25,4 mm

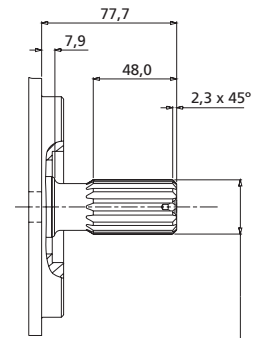


Shaft Code 3

SAE C Splined shaft 1-J498b
12/24 d.p. - 14 Teeth
30° Pressure angle

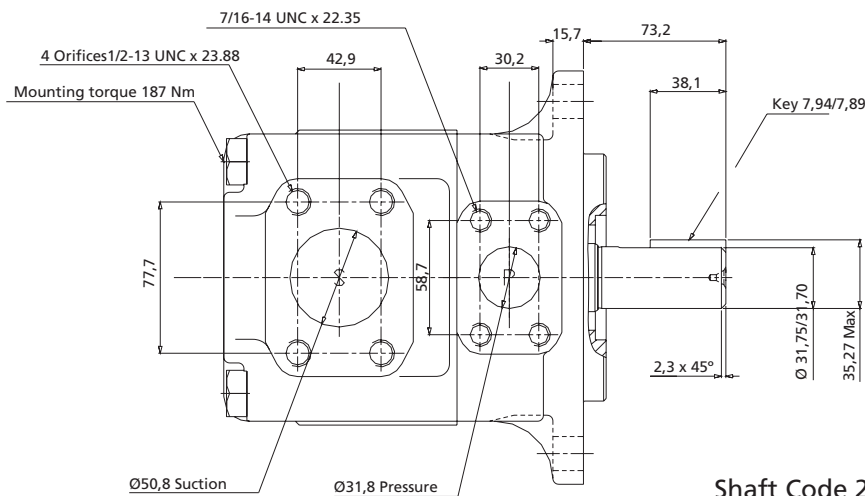


Shaft Code 1



Shaft Code 4

No SAE Splined shaft 1-J498b
12/24 d.p. - 14 Teeth
30° Pressure angle



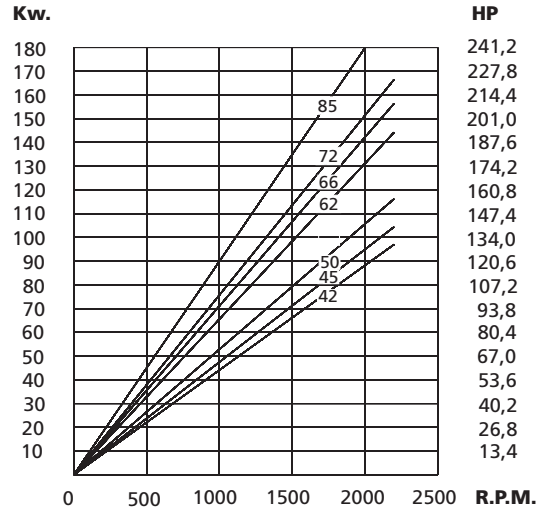
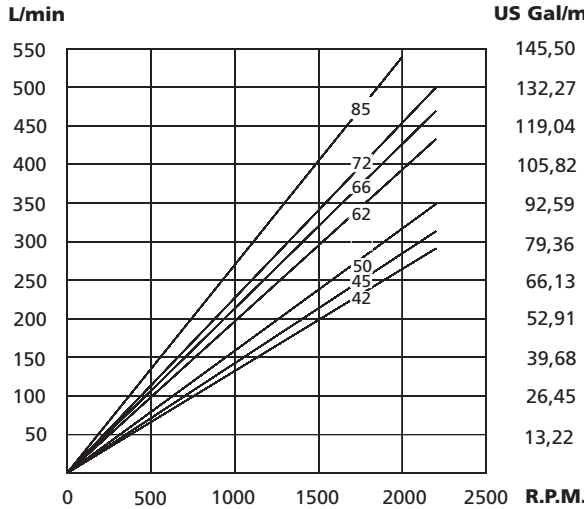
Shaft Code 2

DT6E OPERATING CHARACTERISTICS

DATA SHEET

FLOW	FLOW							SPEED (rpm)		PRESSURE (bar)		WEIGHT (Kgs.)	
	Lts/min.at 1000 rpm	132	142	156	197	213	227	270	Min.	Máx.	Intermit.		Contin.
									500	2200*			
Gal/min.at 1200 rpm	42	45	50	62	66	72	85						

* See page 41 for further information about speed & pressure.



Theoretical Flow (0 Bar)

To calculate the real flow at a given operating pressure, subtract the internal leakage value for this pressure (see diagram below) from the theoretical flow. (See diagram above).

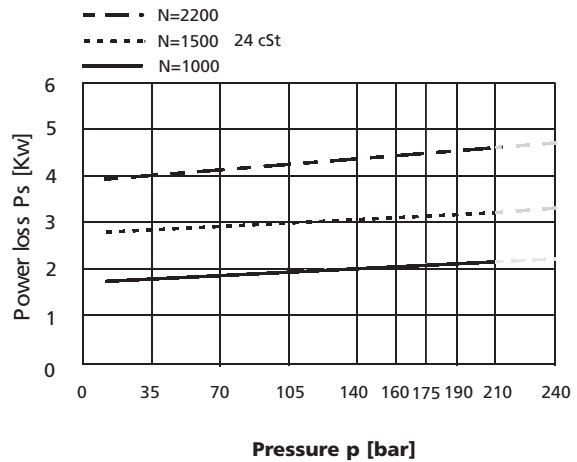
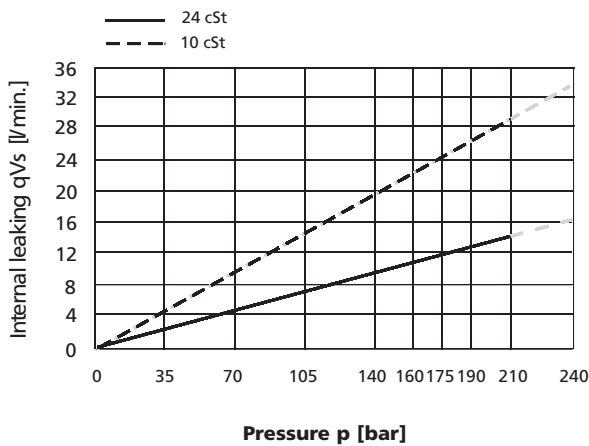
Theoretical Input Power at 200 Bar

To calculate the theoretical input power at other pressures and speeds, use the formula:

$$P(Kw) = \frac{Q(L/min.) \times P(Bar)}{600}$$

Where Q is the theoretical flow (upper left diagram) and P the operating pressure.

To calculate the real input power, add to the theoretical power the hydromechanical power losses (see diagram below).



DIMENSIONS - SINGLE VANE PUMPS DT6E

DIMENSIONS IN MILLIMETERS. 1" = 25,4 mm

