

SINGLE VANE PUMP

CODE

F3	HS	25	21	D	1	A	00
1	2	3	4	5	6	7	8

- 1 - **"F3"** means special seals for fire-resistant fluids. Omit if not required

- 2 - **Pump Type:**
HS = 12 vane pump, industrial use (very quiet), UNC threads
HQ = 10 vane pump and bronze plates, mobile use, UNC threads

- 3 - **Pump model:** 20, 25, 35 and 45 in HS and HQ types

- 4 - **Flow:** HS, HQ in US Gallons per minute at 1200 rpm and 7 Bar.

- 5 - **D = Right-hand** direction of rotation (Clockwise).
Y = Left-hand direction of rotation.
(To check the direction of rotation view from the shaft end).

- 6 - **Shaft type:** See on each pump

- 7 - **Outlet position**
Viewed from cover end of pump
A: Opposite inlet port
B: 90 CCW from inlet
C: Inline with inlet
D: 90 CW from inlet

- 8 - **Special characteristic:**
Omit if not required
Example: 02 : BSP
 03 : UNF
 04 : NPT

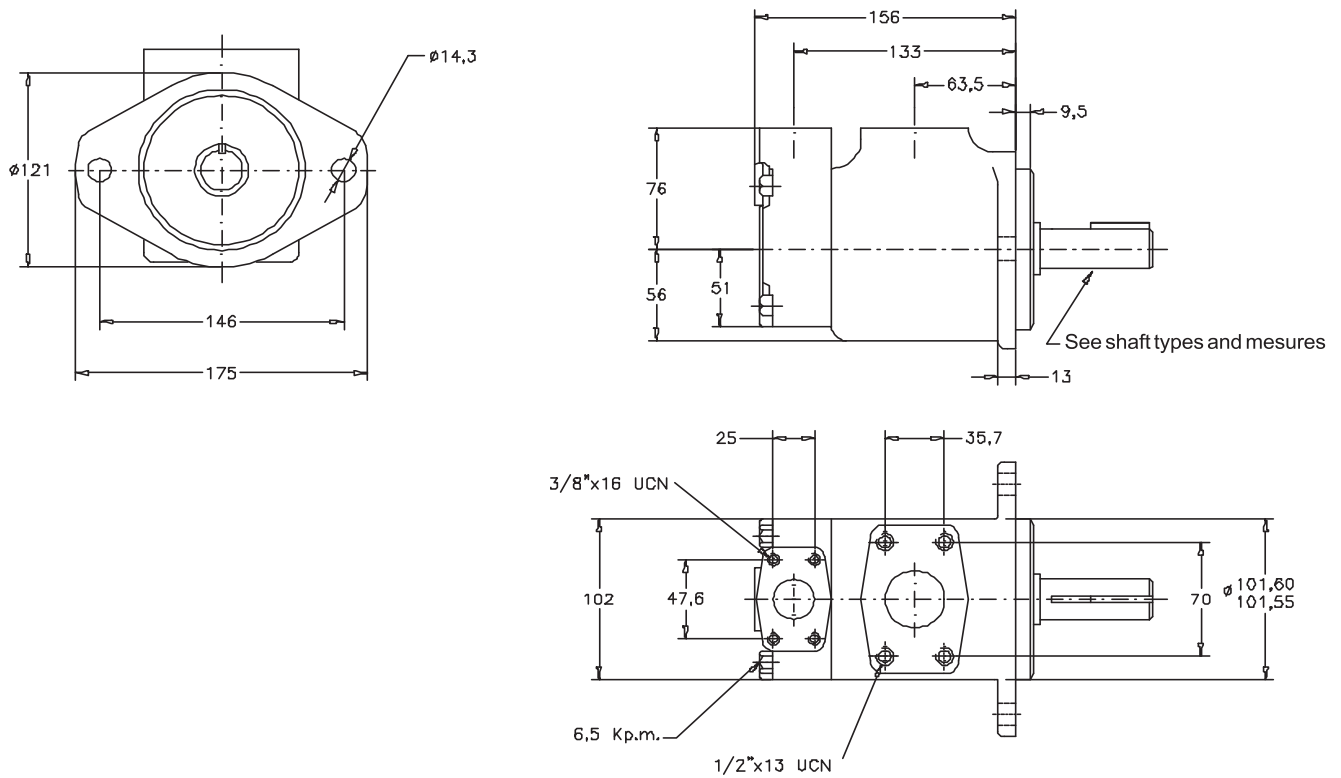
SINGLE VANE PUMPS

HS-20 / HQ-20

	FLOW							SPEED (rpm)		PRES. (Bar)		CONNECTION		WEIGHT (Kgs.)
	Lts.a 1000 rpm	8	18	27	29	36	39	46	Mín.	Máx.	Contin.	Intermit.	Inlet	
Gal. a 1200 rpm	2	5	8	9	11	12	14	600	2500*	175	210	Ø 1 1/2"	Ø 3/4"	12

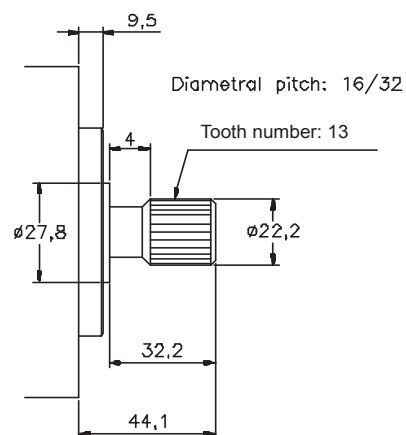
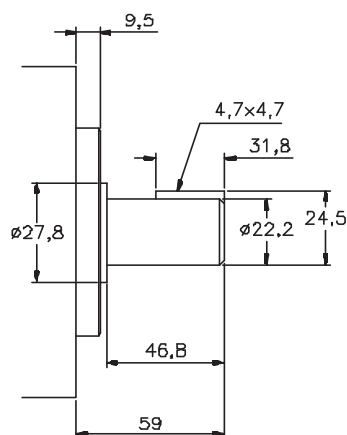
* For further details see general chart

DIMENSIONS IN MILLIMETRES 1" = 25.4 millimetres



Nº1 Shaft

Nº 151 Shaft



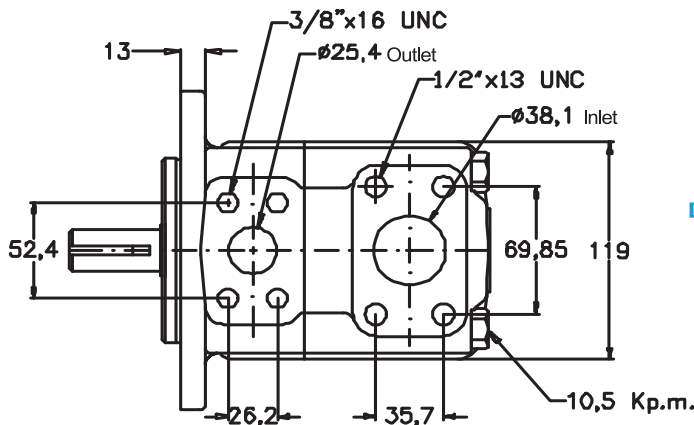
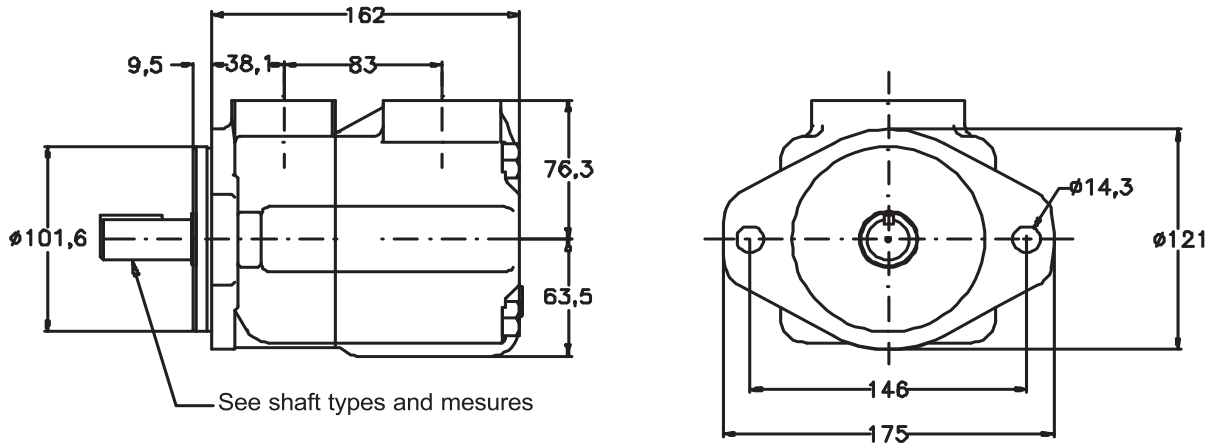
Enquire about other types of shafts

SINGLE VANE PUMPS

HS-25 / HQ-25

	FLOW								SPEED (rpm)		PRES. (Bar)		CONNECTION		WEIGHT (Kgs.)
	Lts.at 1000 rpm	26	40	45	55	60	67	80	88	Mín.	Máx.	Contin.	Intermit.	Inlet	
Gal. at 1200 rpm	8	12	14	17	19	21	24	27	600	2500	175	210	Ø1"1/2	Ø1"	15

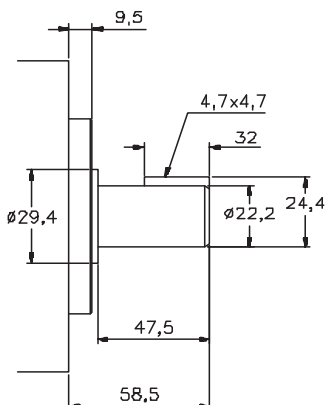
27 gallons (88lts.) cartridge not monted in VQ25 vane pump model.



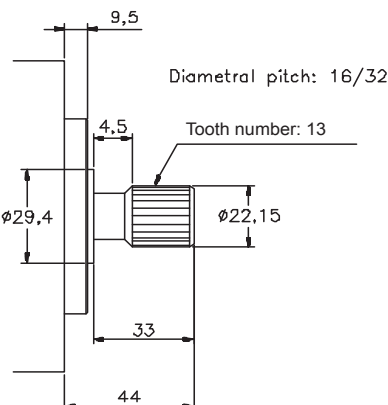
DIMENSIONS IN MILLIMETRES

1" = 25.4 millimetres

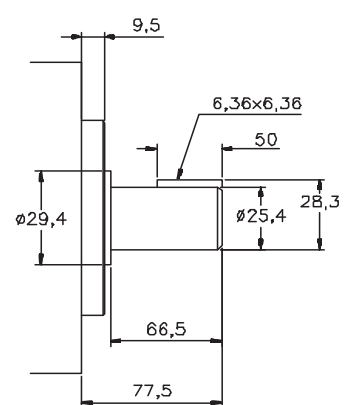
N°1 Shaft



N°11 Shaft



N°86 Shaft



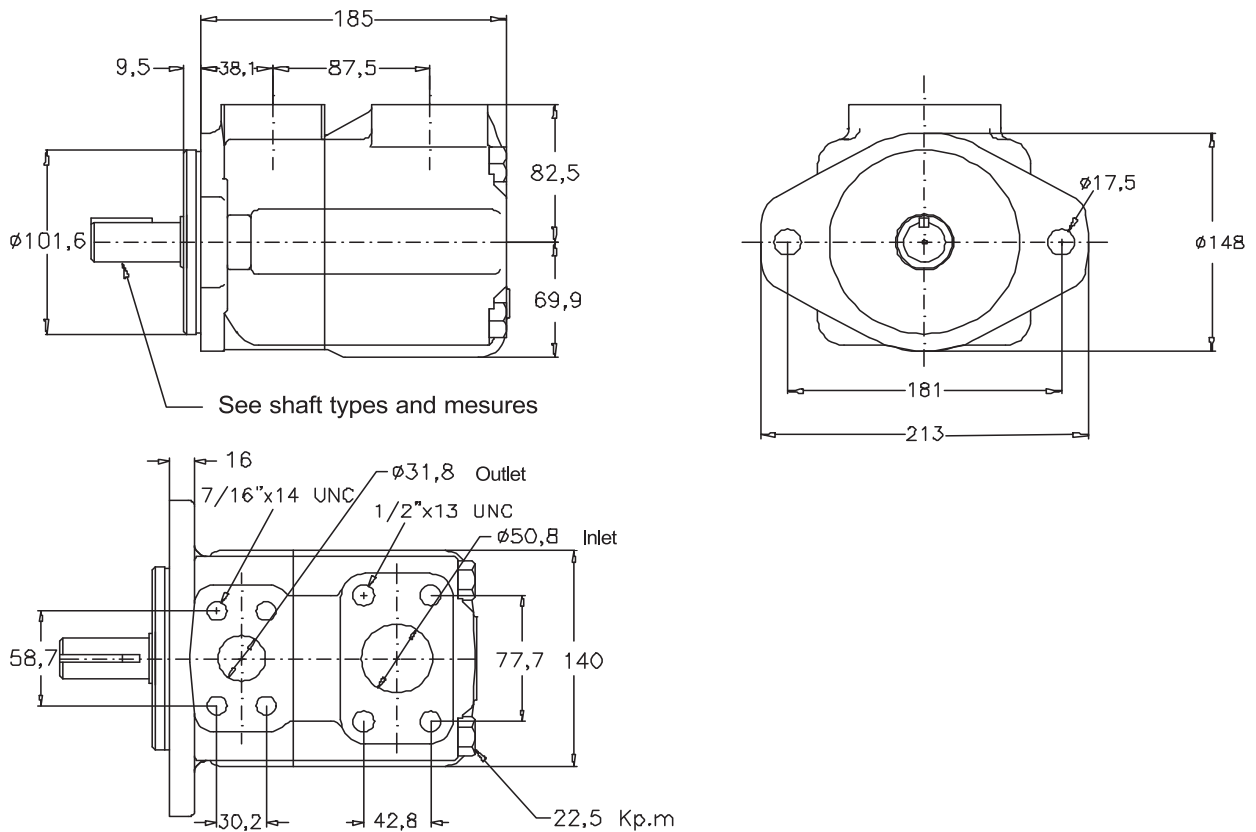
Enquire about other types of shafts

SINGLE VANE PUMPS

HS-35 / HQ-35

FLOW						SPEED (rpm)		PRES. (Bar)		CONNECTION		WEIGHT (Kgs.)	
Lts.at 1000 rpm	66	81	97	112	121	142	Min.	Máx.	Contin.	Intermit.	Inlet	Outlet	(Kgs.)
Gal. at 1200 rpm	21	25	30	35	38	45	600	2400	175	210	Ø2"	Ø1"1/4	23

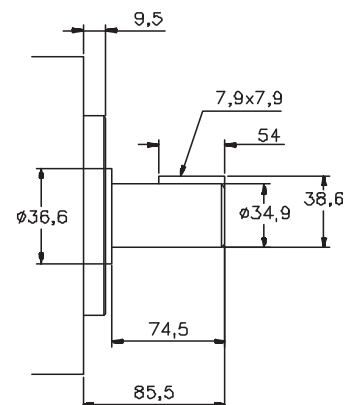
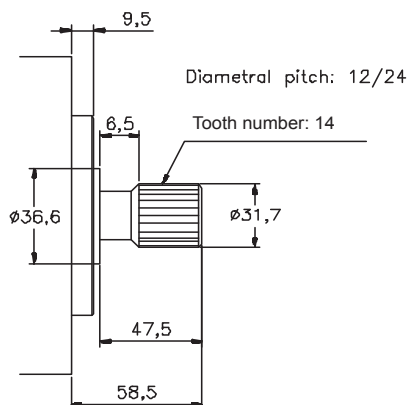
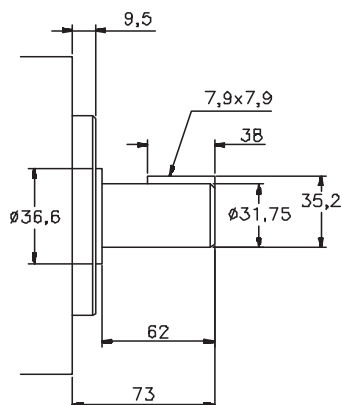
DIMENSIONS IN MILLIMETRES 1" = 25.4 millimetres



Nº1 Shaft

Nº11 Shaft

Nº86 Shaft



Enquire about other types of shafts

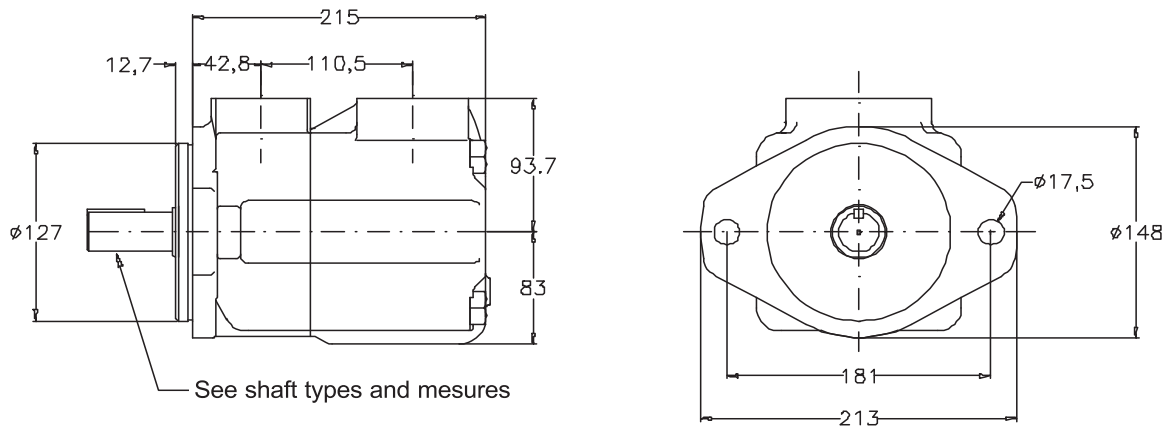
SINGLE VANE PUMPS

HS-45 / HQ-45

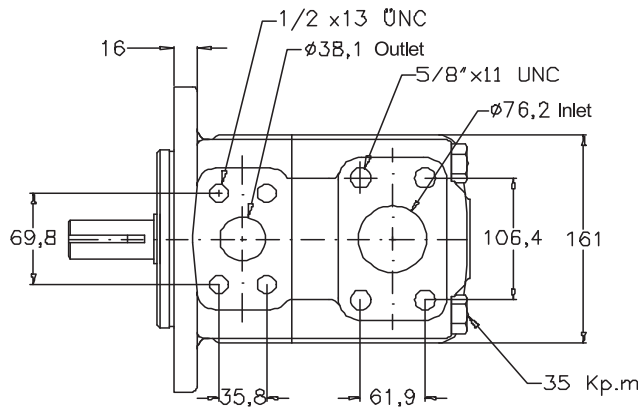
FLOW							SPEED (rpm)		PRES. (Bar)		CONNECTION		WEIGHT (Kgs.)	
Lts.at 1000rpm	138	148	162	180	193	214	240	Mín.	Máx.	Contin.	Intermit.	Inlet		Outlet
Gal. at 1200rpm	42	47	50	57	60	67	75	600	2200*	155	175	Ø3"	Ø1"1/2	35,5

* For further details see general chart

DIMENSIONS IN MILLIMETRES 1" = 25.4 millimetres



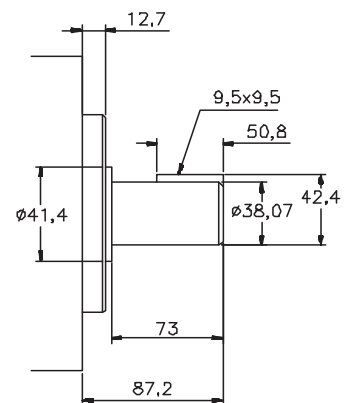
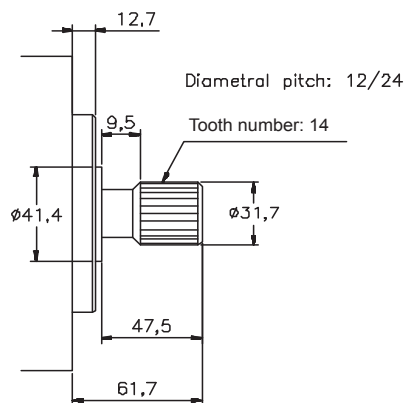
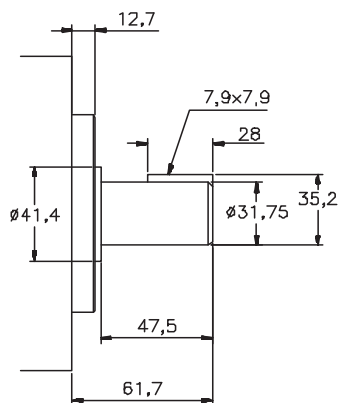
See shaft types and mesures



N°1 Shaft

N°11 Shaft

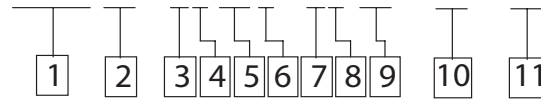
N°86 Shaft



Enquire about other types of shafts

SINGLE VANE PUMP

VH20(F) - 1P11S - 1C (8) - (H) - (L)



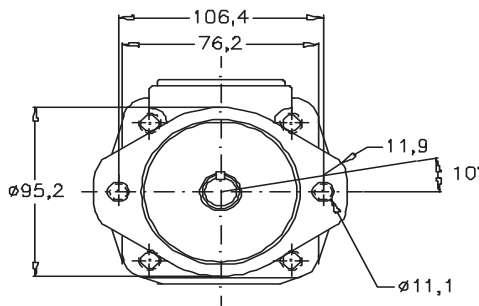
- 1 Model**
VH10, VH20
- 2 Cover (optional)**
Omit - Standard Cover
F - Flow Control Cover
P - Priority Valve Cover
- 3 Mounting**
1 - 2 - Bolt Flange
- 4 Inlet Port Connection**
S - 1.3125"-12 Str.thd. (VH10)
- 1.625"-12 Str.thd. (VH20)
P - 1.00" NPT (VH10)
- 1.25" NPT (VH20)
B - 1.00" BSP (VH10)
- 1.25" BSP (VH20)
- 5 Delivery (USgpm at 1200 rpm)**
VH10-1, 2, 3, 4, 5, 6, 7
VH20-5, 6, 7, 8, 9, 10, 11, 12, 13
- 6 Outlet Port Connection**
VH10 and VH20
S - 0.750"-16 Str.thd. (VH10)
- 1.0625"-12 Str.thd. (VH20)
P - 0.500" NPT (VH10)
- 0.750" NPT (VH20)
B - 0.500" BSP (VH10)
- 0.750" BSP (VH20)
VH10F, VH10P, VH20F and VH20P
S - 0.750"-16 Str.thd. for outlet and
1.0625"-12 Str. thd. For tank port (VH20F)
P - 0.750"-16 Str.thd. for outlet and 0.500" NPT
for tank port (VH10F and VH20F)
T - 0.750"-16 Str.thd. for outlet and tank port (VH10F)
- 0.750"-16 Str.thd. for primary outlet and tank port 0.875"-14 Str.thd.for secondary outlet (VH20P)
K - 0.5625"-18 Str.thd. for primary outlet and tank port and 0.750"-16 Str.thd.for secondary outlet (VH10P)
T - 0.750"-16 Str.thd. for outlet and 0.750"-16 Str.thd. for tank port (VH20F)
- 7 Shaft**
1 - Straight keyed
11 - Splined
62 - Splined (VH20 only)
38 - Splined (VH20 only)
123 - Threaded with woodruff key
- 8 Outlet Port Position**
(Viewed from cover end)
A - Opposite inlet
B - 90° CCW from inlet
C - Inline with inlet
D - 90° CW from inlet
- 9 Flow rate Setting for Flow control and Priority Valve Cover L/min (USgpm) (optional)**
2 - 7.6 (2) 6 - 22.7 (6)
3 - 11.4 (3) 7 - 26.5 (7)
4 - 15.2 (4) 8 - 30.3 (8)
5 - 19.0 (5)
- 10 Pressurer Setting for Flow control and Priority Valve Cover bar (psi) (optional)**
A - 17 (250) F - 103 (1500)
B - 34 (500) G - 121 (1750)
C - 52 (750) H - 138 (2000)
D - 69 (1000) J - 155 (2200)
E - 86 (1250) K - 172 (2500)
- 11 Shaft Rotation**
(Viewed from shaft end)
Omit - Turn right
L - Turn left

SINGLE VANE PUMP

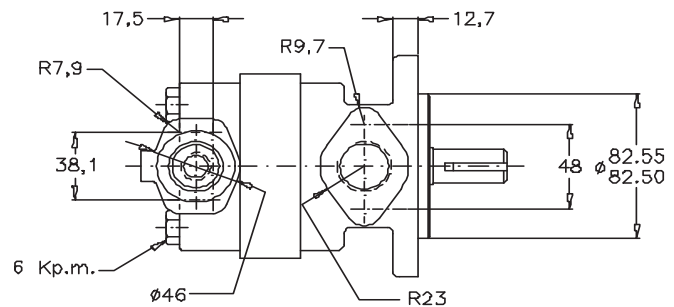
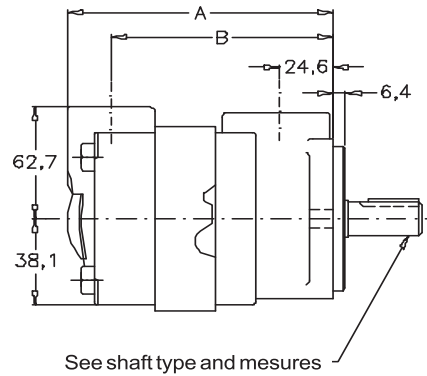
VH10

FLOW			SPEED (rpm)		PRESSURE (Bar)		Nominal power (3)	CONNECTION		WEIGHT (Kgs.)
Lts.at 1000 rpm	US Gal. at 1200 rpm	Reduction (2)	Mín.	Máx.	Contin.	Intermit.		Inlet	Outlet	
3	1	0,8	600	4800	155	177	0,7	1" NPT	1/2" NPT	4,5
6	2	0,9		4500						
9	3	1,2		4000						
13	4	1,6		3400						
16	5	1,7		3200						
19	6	1,8		3000						
22	7	1,9		2800	140	4,2				

DIMENSIONS IN MILLIMETRES 1" = 25.4 millimetres

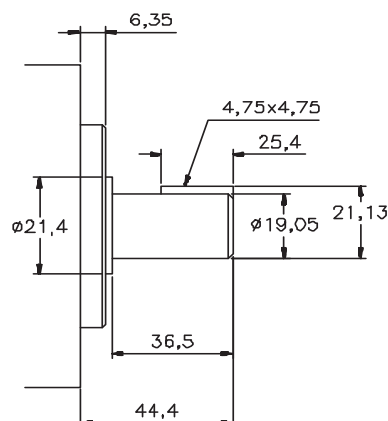


Galon:	Dimension	
	A	B
1, 2, 3	115,6	91,9
4, 5	121,9	98,3
6, 7	127	103,4



Num.	Inlet	Outlet
02	1" BSP	1/2" BSP
04	1" NPT	1/2" NPT

Nº1 Shaft

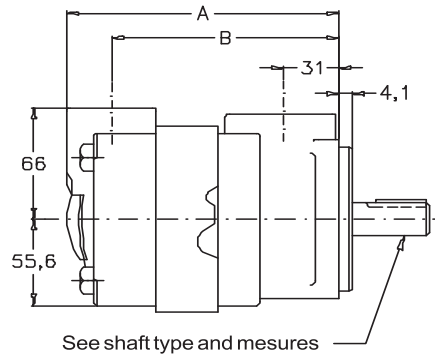
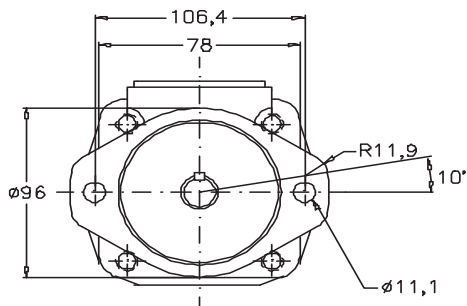


SINGLE VANE PUMP

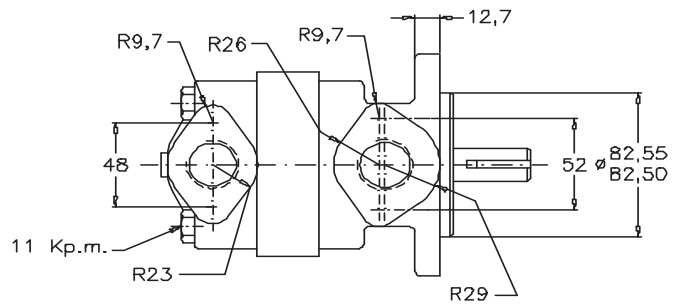
VH20

FLOW			SPEED (rpm)		PRESSURE (Bar)		Nominal power (3)	CONNECTION		WEIGHT (Kgs.)
Lts.at 1000 rpm	US Gal. at 1200 rpm	Reduction (2)	Mín.	Máx.	Contin.	Intermit.		Inlet	Outlet	
19	6	2,8	600	3400	155	177	3,9	1 1/4" NPT	3/4" NPT	7,3
22	7	4,2		3000			4,4			
26	8	4,5		2800			5,1			
29	9	4,8		2800			5,6			
36	11	4,8		2500			6,5			
39	12	5,4		2400			7,5			
42	13	6,0	2400	8,1	140	1 1/4" BSP	3/4" BSP			

DIMENSIONS IN MILLIMETRES 1" = 25.4 millimetres



Galon	Dimension	
	A	B
6	125,2	102,1
7, 8, 9	131,6	108,4
11	136,7	113,5
12, 13	140,2	117,1



Num.	Inlet	Outlet
02	1" 1/4 BSP	3/4" BSP
04	1" 1/4 NPT	3/4" NPT

Nº1 Shaft

